

A3

| REV | ECN NO     | DESCRIPTION                 | DATE       | APPD       |
|-----|------------|-----------------------------|------------|------------|
| A   | ECN1006068 | INITIAL EDITION             | 2012.09.28 | Ford Liu   |
| B   | ECN1312093 | UPDATE DRAWING              | 2013.12.31 | Bill Zheng |
| C   | ECN1701021 | CHANGE THE PACHING QUANTITY | 2017.01.10 | Andrew     |

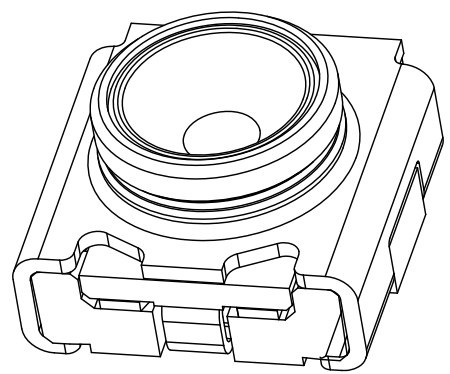
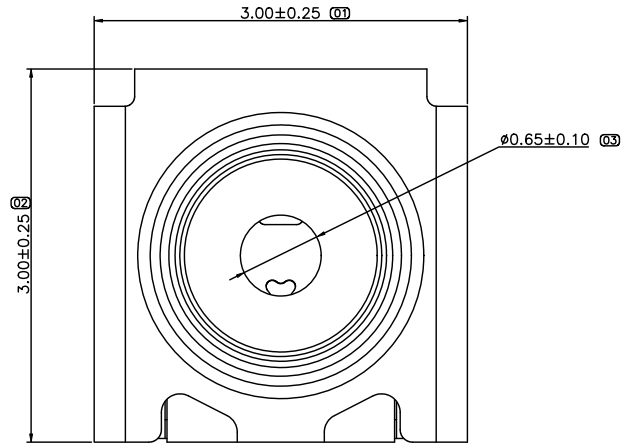
A

B

C

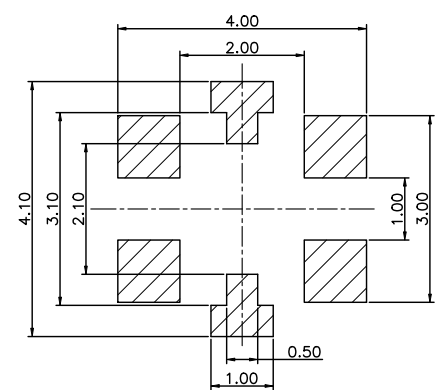
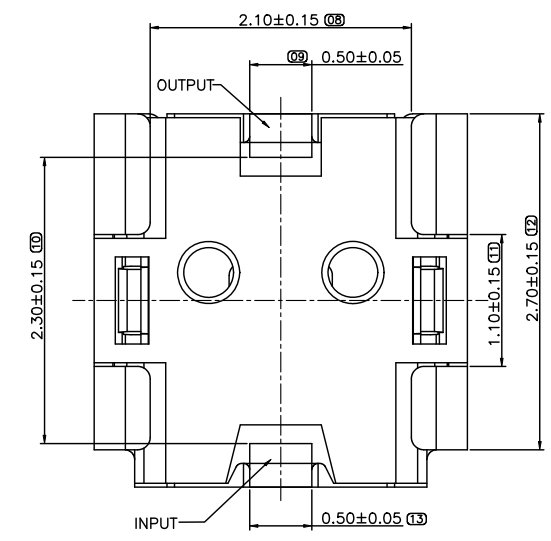
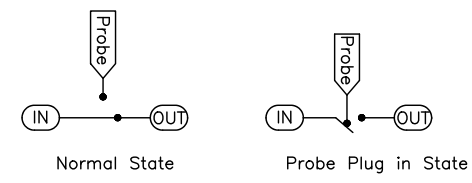
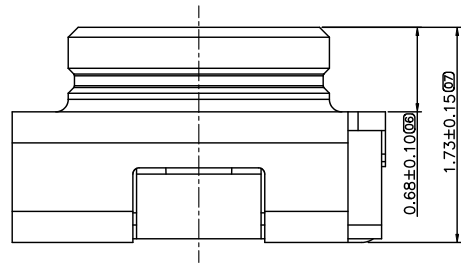
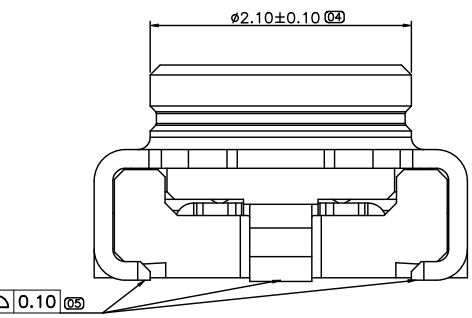
D

E

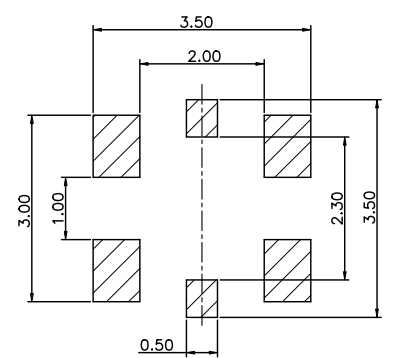


NOTE:

- MATERIALS:
  - HOUSING: THERMOPLASTIC, UL94 V-0, COLOR: BLACK;
  - COVER: THERMOPLASTIC, UL94 V-0, COLOR: BLACK;
  - TERMINAL-A: STAINLESS STEEL, T=0.06±0.01;
  - TERMINAL-B: COPPER ALLOY, T=0.10±0.01;
  - SHELL: COPPER ALLOY, T=0.15±0.01;
- FINISH:
  - TERMINAL-A: 3u" Min. GOLD PLATING ON CONTACT AREA OVER 30u" Min. NICKEL UNDERPLATING;
  - TERMINAL-B: 3u" Min. GOLD PLATING ON CONTACT AREA OVER 30u" Min. NICKEL UNDERPLATING;
  - SHELL: 3u" Min. GOLD PLATING ON CONTACT AREA OVER 30u" Min. NICKEL PLATED;
- PERFORMANCE:
  - RATINGS:
    - VOLTAGE RATING: 250V AC
    - SERVICE TEMPERATURE: -40°~+90°
    - STORAGE TEMPERATURE: -10°~+40°
  - INSULATION RESISTANCE: 500MOHM Min.



RECOMMENDED PCB LAYOUT  
(TOLERANCE: ±0.03)  
SCALE: 1:2



RECOMMENDED STENCIL MASK PATTERN  
(TOLERANCE: ±0.03)  
THICKNESS: 0.12mm  
SCALE: 1:2

|                         |  |          |  |                                    |  |                 |  |
|-------------------------|--|----------|--|------------------------------------|--|-----------------|--|
| EXTEND USE              |  | UNIT     |  | TITLE                              |  | DWG NO          |  |
| RF SWITCH 3*3 CONNECTOR |  | mm       |  | 7.006A3 CONNECTOR CUSTOMER DRAWING |  | C-7.006A3       |  |
| GENERAL TOLERANCE (D)   |  | MATERIAL |  | APPD                               |  | P/N:            |  |
| . ±0.30                 |  |          |  | Andrew 2017.01.10                  |  | 7.006A3-000-1R0 |  |
| .0 ±0.25                |  |          |  | Bill Zheng 2017.01.10              |  | SHEET           |  |
| .00 ±0.20               |  |          |  | DRN                                |  | SCALE           |  |
| .000 ±0.10              |  |          |  | Tony Tai 2017.01.10                |  | 1/2             |  |
| ANGLES                  |  | FINISHED |  | DRN                                |  | SCALE           |  |
| . ±3°                   |  |          |  | Tony Tai 2017.01.10                |  | 1:1             |  |
| .0 ±2°                  |  |          |  |                                    |  | REV             |  |
| .00 ±1°                 |  |          |  |                                    |  | C               |  |

A

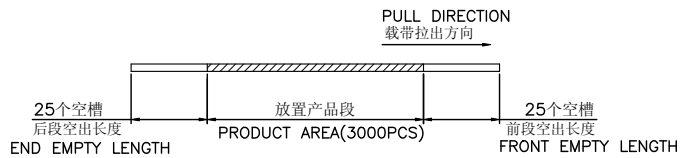
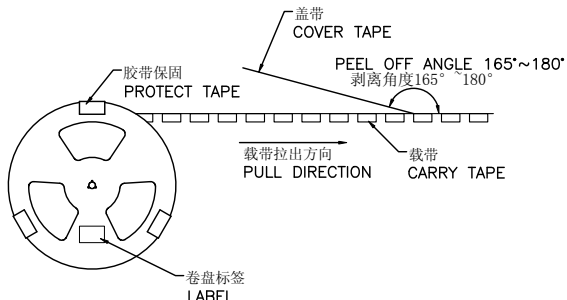
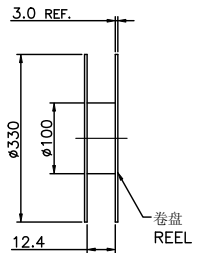
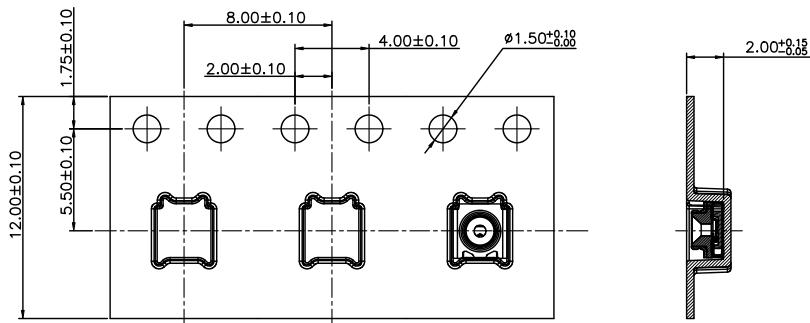
B

C

D

E

| REV | ECN NO | DESCRIPTION   | DATE | APPD |
|-----|--------|---------------|------|------|
|     |        | SEE SHEET 1/2 |      |      |



卷盘标签示意图 LABEL

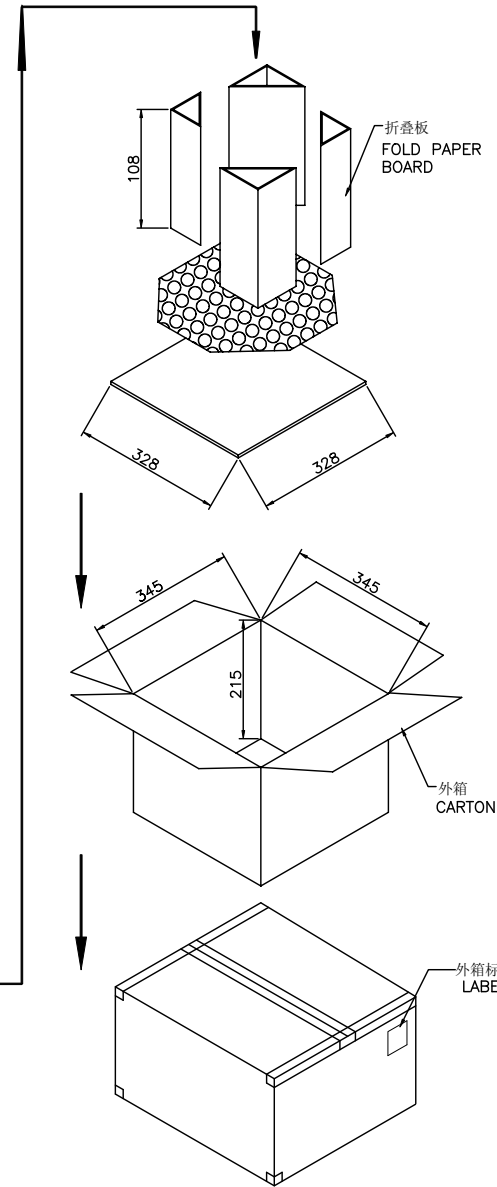
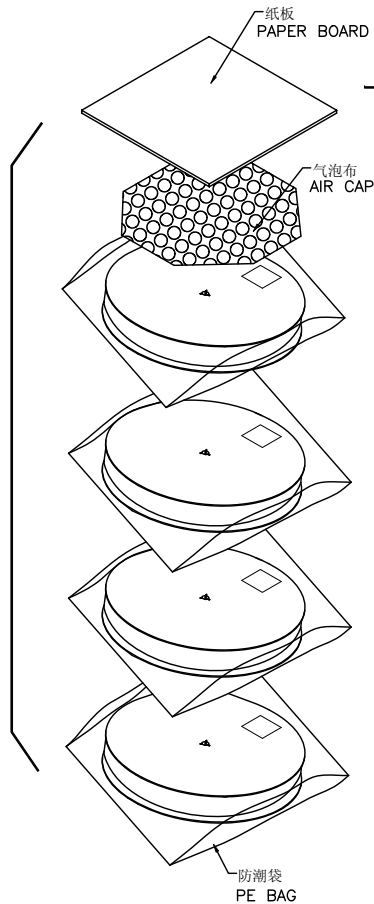


外箱标签示意图 LABEL

1: 包装内容

INFORMATIONS OF THE PACKING

| 料号 (P/N)        | 一卷包装数量 Q'TY/REEL | 一箱包装数量 Q'TY/CARTON |
|-----------------|------------------|--------------------|
| 7.006A3-000-1R0 | 3000PCS          | 30000PCS           |



|                         |  |                                    |  |                       |  |
|-------------------------|--|------------------------------------|--|-----------------------|--|
| EXTEND USE              |  | TITLE                              |  | DWG NO                |  |
| RF SWITCH 3*3 CONNECTOR |  | 7.006A3 CONNECTOR CUSTOMER PACKING |  | C-7.006A3-P           |  |
| UNIT mm                 |  | MATERIAL                           |  | APPD                  |  |
| GENERAL TOLERANCE       |  | QTY                                |  | Andrew 2017.01.10     |  |
| DIMENSION               |  | FINISHED                           |  | CHD                   |  |
| .0 ±0.30                |  | .0 ±3'                             |  | Bill Zheng 2017.01.10 |  |
| .0 ±0.25                |  | .0 ±2'                             |  | DRN                   |  |
| .00 ±0.20               |  | .00 ±1'                            |  | Tony Tai 2017.01.10   |  |
| .000 ±0.10              |  | SHEET 2/2                          |  | SCALE 1:1             |  |
|                         |  | REV C                              |  | P/N: 7.006A3-000-1R0  |  |

